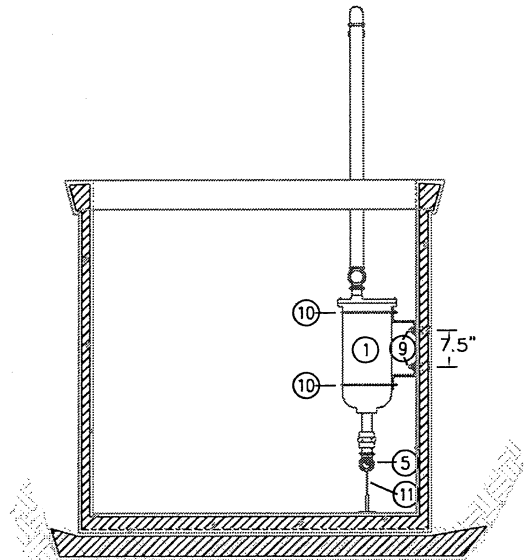
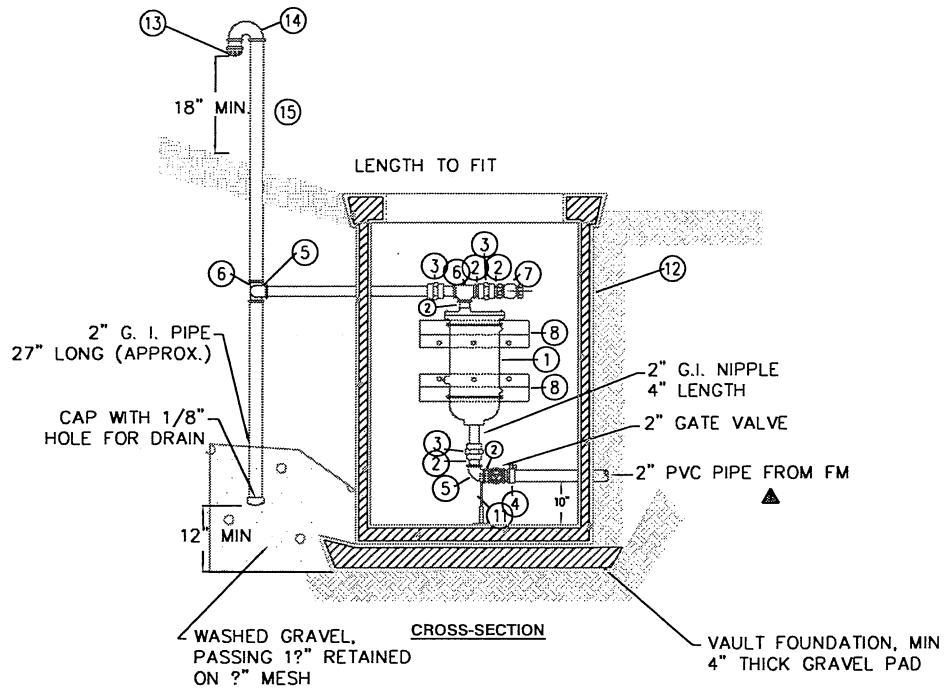


PLAN

NOTE:  
PIPING FROM FORCEMAIN  
NOT SHOWN THIS VIEW  
FOR CLARITY.



PROFILE



CROSS-SECTION

**SEWAGE AIR-VACUUM ASSEMBLY**

**SEWER STANDARD DETAIL**

**SNOQUALMIE PASS  
UTILITY DISTRICT**

FILE	SCALE	DATE
SPUDTS10	NTS	7/22/04

## MATERIAL LIST

<u>ITEM</u>	<u>DESCRIPTION</u>	<u>QUANTITY</u>	<u>ITEM</u>	<u>DESCRIPTION</u>	<u>QUANTITY</u>
①	2" APCO MODEL No. 445 SEWAGE COMBINATION AIR RELEASE & AIR VACUUM VALVE ASSEMBLY (WITH SHUTOFF VALVE & BACKFLUSHING ATTACHMENTS)	1	⑩	1/4" U-BOLT (4-7/8" RADIUS TO BOLT CTR. 14" MIN. LENGTH)	2
②	2" G.I. CLOSE NIPPLES	6	⑪	2" ADJUSTABLE PIPE SUPPORT EQUAL TO B-LINE FIG. No. B3096 (GALV. FINISH)	1
③	2" UNIONS	3	⑫	PRECAST UTILITY VAULT EQUAL TO UTILITY VAULT MODEL 660-L WITH LOCKING STEEL DIAMOND PLATE DOUBLE DOOR COVER FOR 8" FORCE MAIN. PROVIDE UTILITY VAULT EQUAL TO MODEL 444-LA WITH COVER # 44-332P FOR 2" FORCE MAIN.	1
④	PACK JOINT COUPLING (PEXNPT) FORD MODEL No. C86-77(125) OR EQUAL	3	⑬	2" BRONZE BEEHIVE STRAINER	1
⑤	2" G.I. 90 BEND	2	⑭	2" OPEN PATTERN RETURN BEND PAINT: ICI DEVOE 4308-1000 WHITE	1
⑥	2" G.I. TEE	2	⑮	2" G.I. NIPPLE LENGTH TO FIT PAINT: ICI DEVOE 4308-1000 WHITE	1
⑦	2" SWING CHECK VALVE	1			
⑧	Z-BRACKET (5" WEB, 3" FLANGE 3/8" THICKNESS x 1'-10" LENGTH)	2			
⑨	1/4" EXPANSION BOLTS	6			

### PAINTING SCHEDULE

CONCRETE EXTERIORS BELOW GRADE  
 SURFACE SHALL BE CLEAN AND DRY. PAINT WITH TWO COATS OF TNEMEC PRIMER SERIES 46-465 COAL TAR SOLUTION (OR EQUAL) 8.0 TO 10.0 MILS DFT.

CONCRETE INTERIORS  
 WALLS AND CEILINGS - TWO (2) COATS OF ICI DEVOE 4308-1000 WHITE  
 FLOORS - NONE.

METAL (EXCEPT FACTORY FINISH PAINTED EQUIPMENT)  
 ONE (1) SHOP COAT OF ICI DEVOE RUST BLOCK, 4100-7100 RED METAL PRIMER  
 TWO (2) COATS ICI DEVOE GROTTO BLUE D-104

### SEWAGE AIR-VACUUM ASSEMBLY NOTES

## SEWER STANDARD DETAIL

SNOQUALMIE PASS  
 UTILITY DISTRICT

FILE	SCALE	DATE
SPUDTS10	NTS	7/22/04