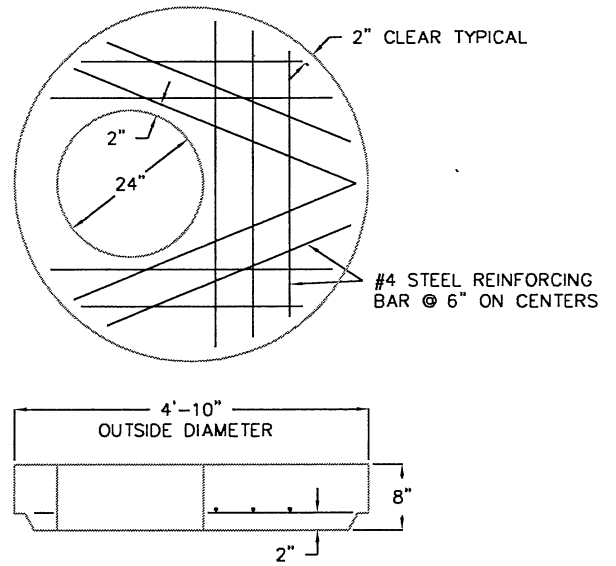
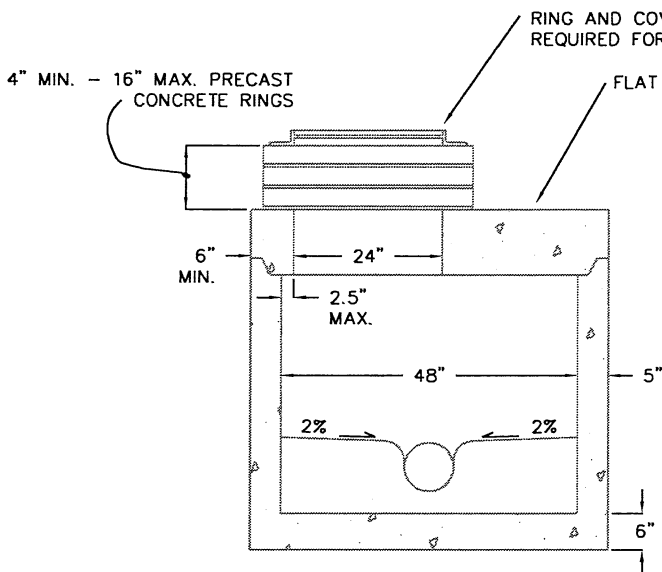


**PLAN**

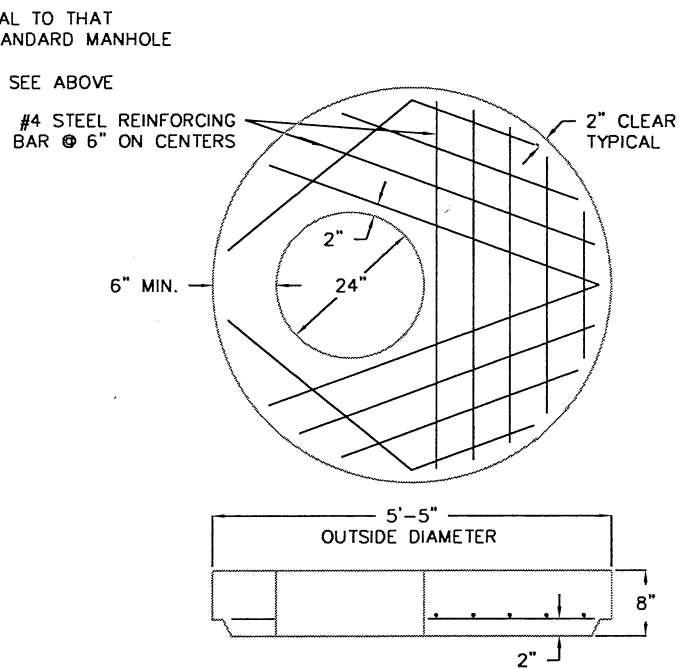


**FLAT SLAB FOR  
48\"/>**



**SHORT MANHOLE**

LESS THAN 6'-0" DEEP



**FLAT SLAB FOR  
54\"/>**

NOTE: SEE "MANHOLE GENERAL NOTES"  
FROM STANDARD MANHOLE DETAIL

**SEWER STANDARD DETAIL**

**SNOQUALMIE PASS  
UTILITY DISTRICT**

FILE	SCALE	DATE
SPUDTS4	NTS	7/22/04