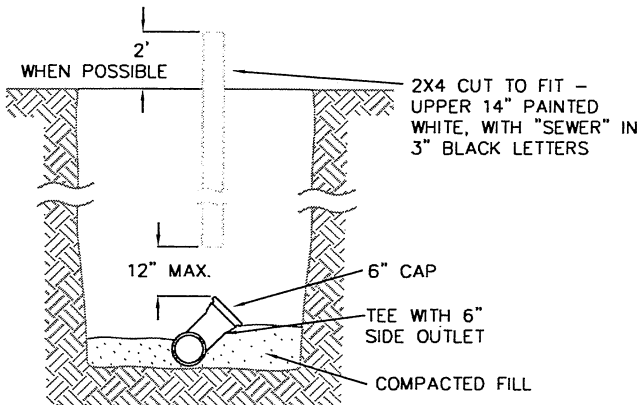
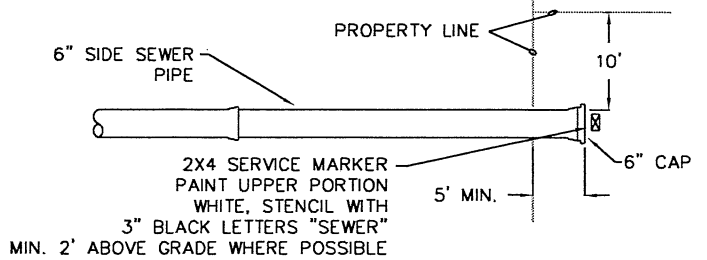


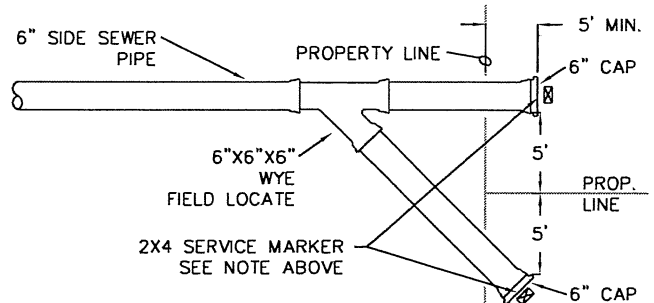
CONNECTION AT SEWER MAIN



CAPPED TEE AT SEWER MAIN



SINGLE SERVICE



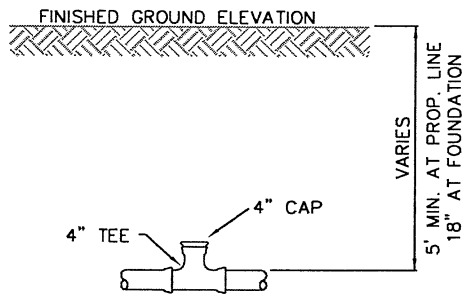
DOUBLE SERVICE

NOTES:

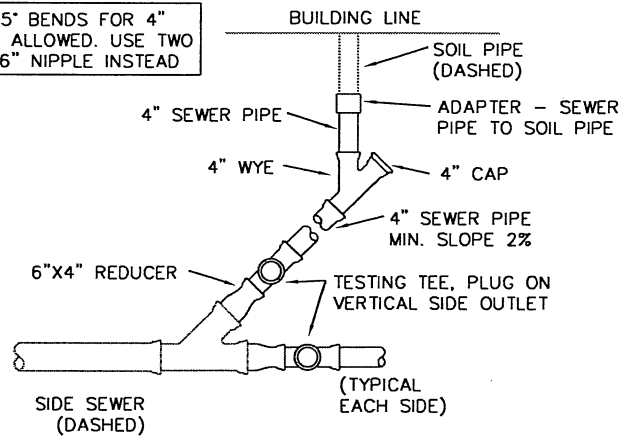
1. WHERE SIDE SEWER CONNECTS TO MANHOLE, INVERT OF SIDE SEWER SHALL BE EQUAL TO OR ABOVE MAIN SEWER CROWN, BUT SHALL NOT EXCEED 18" ABOVE INVERT OF SEWER MAIN.
2. UNLESS OTHERWISE INDICATED ON THE PLANS, SIDE SEWER SHALL BE A MINIMUM OF FIVE (5) FEET DEEP AT THE PROPERTY LINE, OR A MINIMUM OF 4.5 FEET LOWER THAN THE LOWEST HOUSE ELEVATION, WHICHEVER IS LOWER.

SIDE SEWER

NOTE: USE OF 45° BENDS FOR 4" SIDE SEWERS NOT ALLOWED. USE TWO 22½° BENDS AND 6" NIPPLE INSTEAD



TESTING TEE - ELEVATION



BUILDING CONNECTION PLAN

HOUSE SEWER

SEWER STANDARD DETAIL

**SNOQUALMIE PASS
UTILITY DISTRICT**

FILE	SCALE	DATE
SPUDT55	NTS	7/22/04