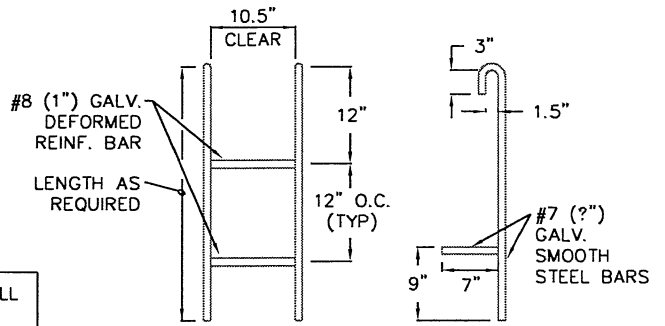


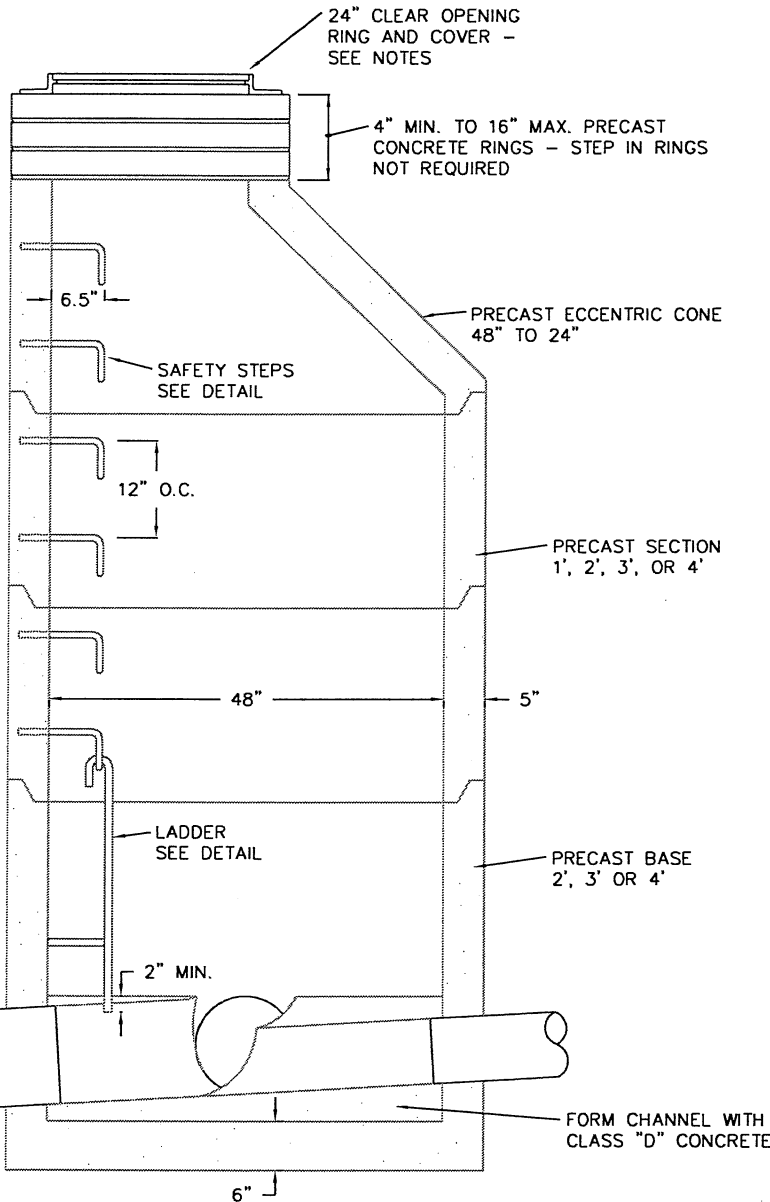
SAFETY STEP

NOTE: DEFORMED BAR SHALL CONFORM TO ASTM A15. GALVANIZING SHALL CONFORM TO ASTM A123.

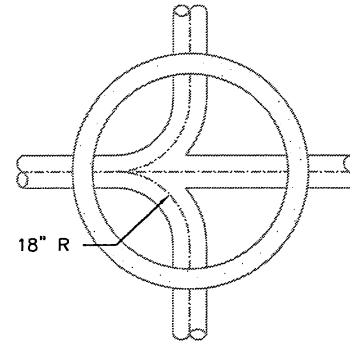


LADDER TO HANG FROM A STEP

LADDER



48" STANDARD MANHOLE



PLAN

MANHOLE GENERAL NOTES:

1. IN UNIMPROVED AREAS AND EASEMENTS, MANHOLE SHALL EXTEND A MINIMUM OF 6" AND A MAX. OF 18" ABOVE FINISHED GRADE. RING AND COVER SHALL BE AS SPECIFIED BELOW AND SHALL HAVE 3 RECESSED 5/8" INC X 1-1/4" STAINLESS STEEL SOCKET HEAD CAP SCREWS FOR LOCKING.
2. MANHOLE RING AND COVER SHALL HAVE 24" CLEAR OPENING AND BE EQUAL TO OLYMPIC FOUNDRY CO. NO. MH30, WITH A CAST IN HAND HOLE COVER. WORDING ON COVER SHALL BE "SEWER" FOR SANITARY SEWER, AND "DRAIN" FOR STORM DRAIN.
3. MANHOLE SHOWN IS 48" INSIDE DIAMETER, 5" WALL THICKNESS. MAX. PIPE SIZE FOR THE 48" MANHOLE IS 21".
54" INSIDE DIAMETER MANHOLE SHALL BE THE SAME AS THE 48" I.D. MANHOLE SHOWN EXCEPT THAT THE WALL THICKNESS SHALL BE 5" AND THE MANHOLE WALL SHALL HAVE NOT LESS THAN 0.12 SQ. IN. PER LINEAL FT. CIRCUMFERENTIAL DEFORMED REINFORCING STEEL. MAX. PIPE SIZE FOR THE 54" MANHOLE IS 36". ALL PRECAST SECTIONS SHALL CONFORM TO ASTM C-478.
4. ALL HOLES FOR INLET AND OUTLET PIPE SHALL BE BLOCKED OUT WHEN SECTIONS ARE CAST.
5. ALL MANHOLE JOINTS SHALL USE A CONFINED ROUND RUBBER GASKET MEETING ASTM C-443 SPECIFICATIONS.
6. ALL PVC PIPE THROUGH MANHOLE WALL SHALL HAVE A PVC MANHOLE ADAPTER EQUAL TO A GPK MANHOLE ADAPTER OR ROMAC STYLE LCT MEETING ASTA D 2000 3 BA 715 SPECIFICATIONS AT CENTER OF WALL THICKNESS. PIPE SHALL BE GROUTED INTO PLACE FROM EACH SIDE.

SEWER STANDARD DETAIL
SNOQUALMIE PASS
UTILITY DISTRICT

FILE	SCALE	DATE
SPUDTS8	NTS	7/22/04